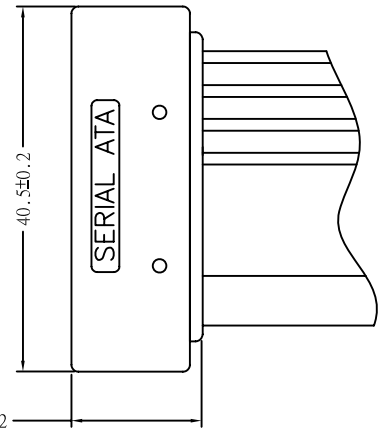
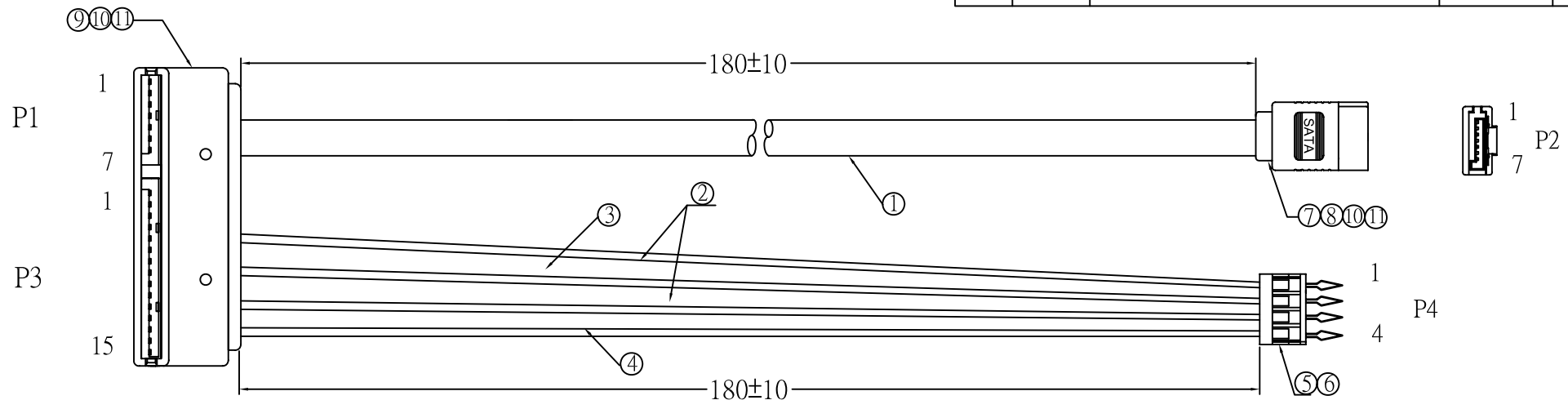


10	11	12	13	14
版次	ECN 编号	修改内容	日期	修改人



**ELECTRICAL TEST:**  
 1).100% OPEN&SHORT WITH MISS WIRE TEST  
 2).TEST CODITION:  
 a).CONDUCTIVE RESISTANCE:5 ohm Max;  
 b).INSULATION RESISTANCE:10M ohm  
 c)HIGH VOLTAGE:300V

PIN ASSIGNMENT

P1	P2	P3	P4
1 GND	1		
2	2	4+5+6 BLACK	1
3	3	7+8+9 RED	2
4 GND	4	10+11+12 BLACK	3
5	5	13+14+15 YELLOW	4
6	6		
7 GND	7		

ITEM	DESCRIPTION	Q'TY
11	OVER MOLD:PVC 45P BLACK(RoHS)	10.5g
10	INNER MOLD:LOW DENSITY PE PLASTIC(RoHS)	4.2g
9	SATA 7+15P/P INSUALTION BLACK LCP CONTACT: PHOSPHOR BRONZE G/F CRIMP TYPE 無尖角 (RoHS)	1PCS
8	SATA 7P/P彈片:SUS#301 (RoHS)	1PCS
7	SATA 7P/P INSULATION BLACK PBT CONTACT PHOSPHOR BRONZE G/F CRIMP TYPE WITH LATCH(RoHS)	1PCS
6	TER:SCN PH 2.5mm PHOSPHOR BRONZE TIN-PLATED(RoHS)	4PCS
5	HSG:SCN PH2.5mm 1*4P HSG PA66 WHITE(RoHS)	1PCS
4	UL1007 20AWG PVC INSULATION COLOR:YELLOW L=204mm(RoHS)	1PCS
3	UL1007 20AWG PVC INSULATION COLOR:RED L=204mm(RoHS)	1PCS
2	UL1007 20AWG PVC INSULATION COLOR:BLACK L=204mm(RoHS)	2PCS
1	UL2725 (26AWG*2C+AL/MY)2P+28AWG*3D+RED(199U) PVC JCAKET OD:2.2*7.8mm L=210mm(RoHS)	1PCS

未标示公差尺寸值 公制单位 .±0.15 .0±0.10 .00±0.05 .000±0.03 ANG.±2° ANG.0±0.5°	原始设计者 / 日期 :	EBE TECHNOLOGY (HK) LIMITED				
	单位 (UNITS) mm 视角					品名 (NAME): SATA 7+15P/F TO 7P/F +4P HSG CABLE IL=180mm
	材料 (M'L)	料号 (PART NUMBER)		图号 (DRAW)		
	核准 :(APP'D)	客户料号 (Customer Part No.)		比例 (SCALE) FULL	图纸 (SIZE) A4	页次 (PAGE) 1/1
品质标记	校对 :(CHECK)	hubery				
特殊特性= <input checked="" type="checkbox"/>	绘图 :(DRAW)					
重点检验= ▼						